



# INSTALLATION INSTRUCTIONS

DESCRIPTION - 200W IOT Indoor Controller

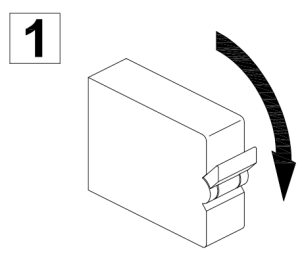
PRODUCT CODE(S) - AOCTO/IC/200

# APPROVALS & CLASSIFICATIONS

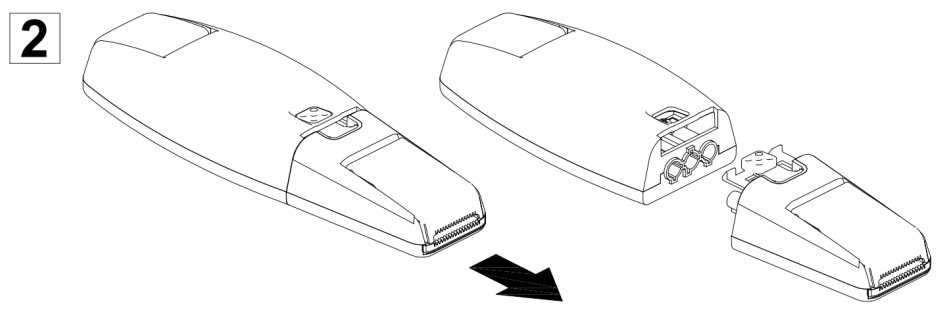
IP20

# SPECIFICATION

Voltage: 220-240V  
Rated Wattage: 200W Max.  
Frequency: 50/60Hz

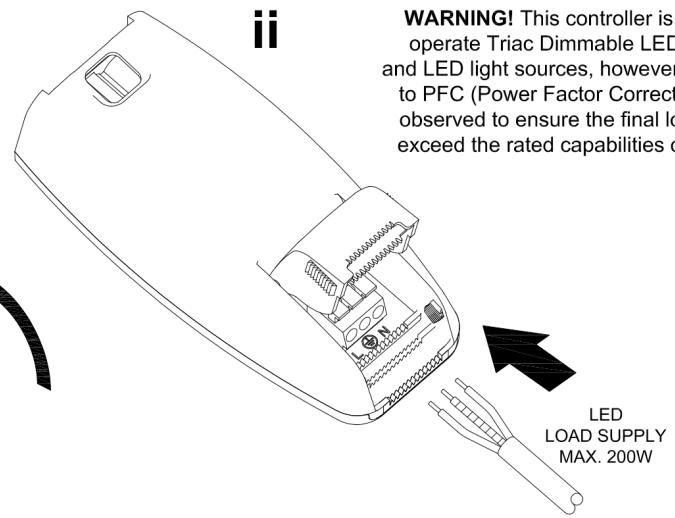
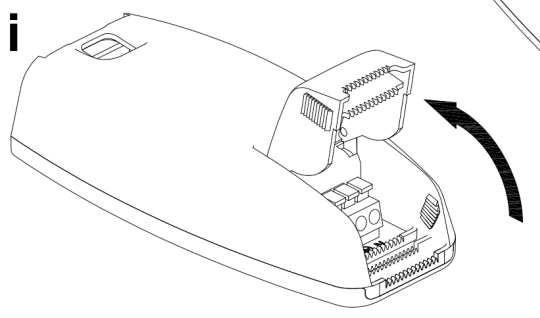


**1** OFF

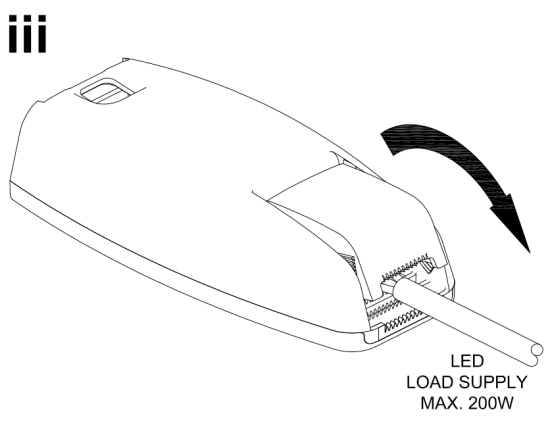


**2** **ii** **WARNING!** This controller is designed to operate Triac Dimmable LED luminaires and LED light sources, however consideration to PFC (Power Factor Correction) must be observed to ensure the final load does not exceed the rated capabilities of the device.

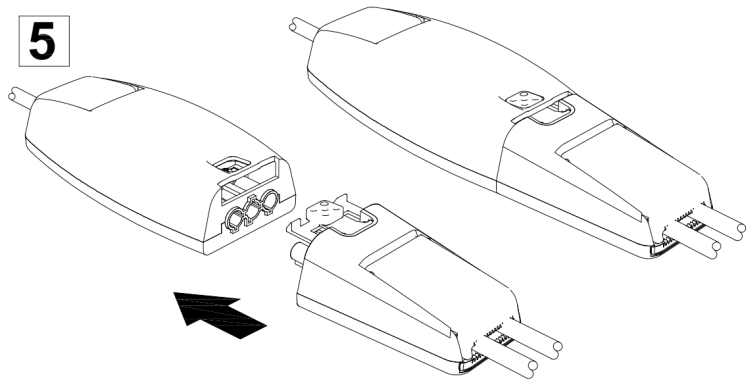
**4** SECONDARY



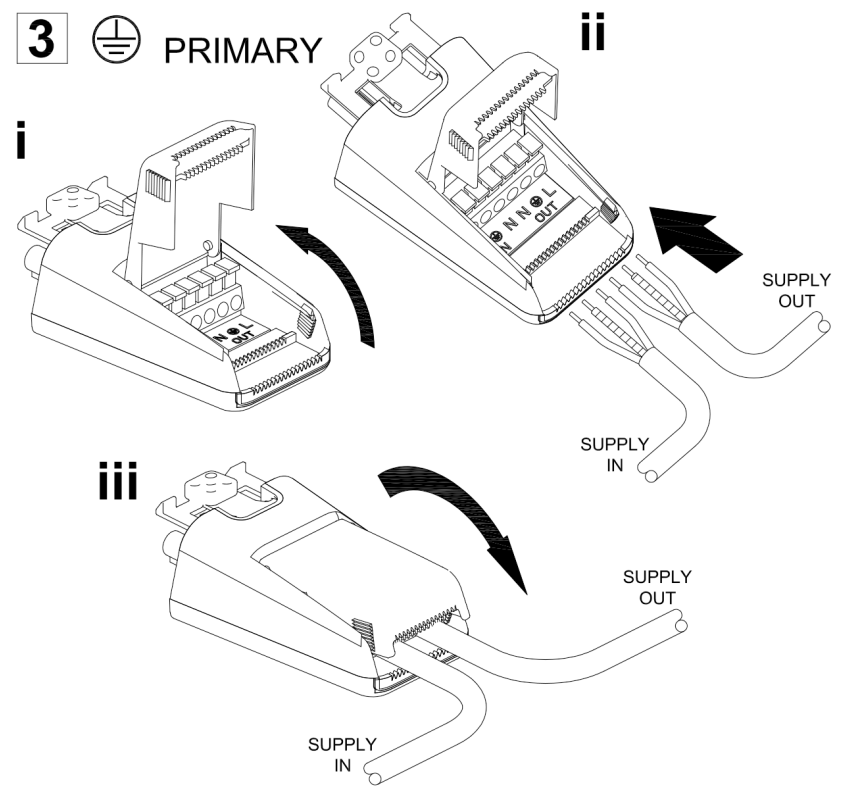
LED LOAD SUPPLY MAX. 200W



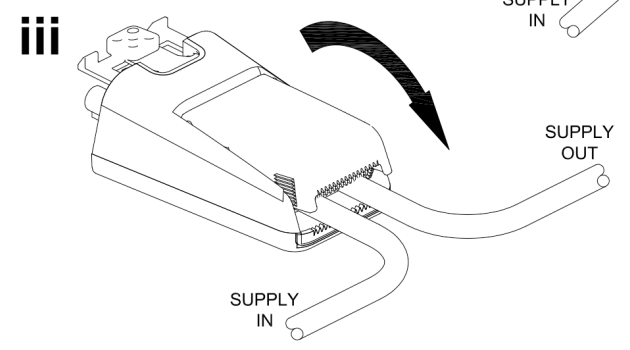
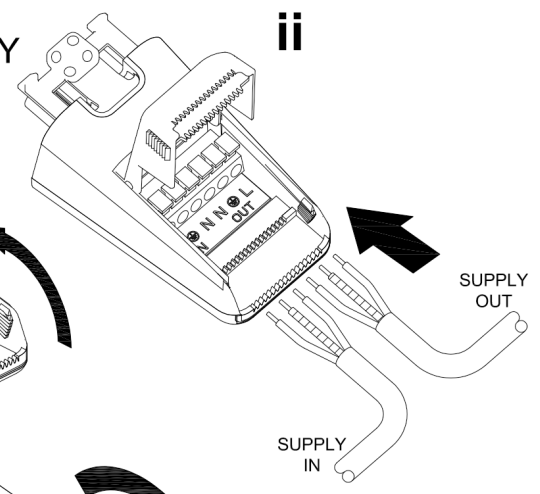
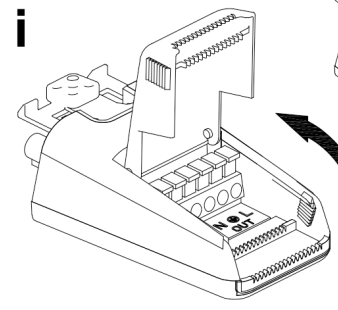
LED LOAD SUPPLY MAX. 200W



**5**

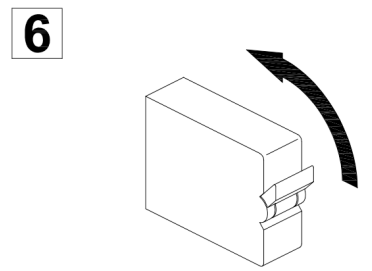


**3** PRIMARY



## IMPORTANT INFORMATION

- It is recommended that luminaires are installed and fitted by a qualified electrician ensuring the installation complies to the current IET wiring regulations.
- These instructions should be read carefully and retained after installation for future reference and maintenance.
- Ensure all electrical connections are secure and that there are no loose strands.



**6** ON